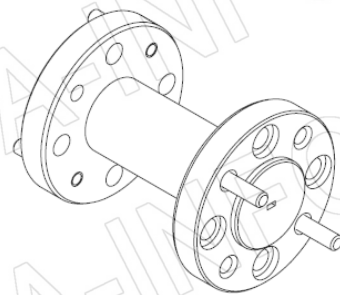
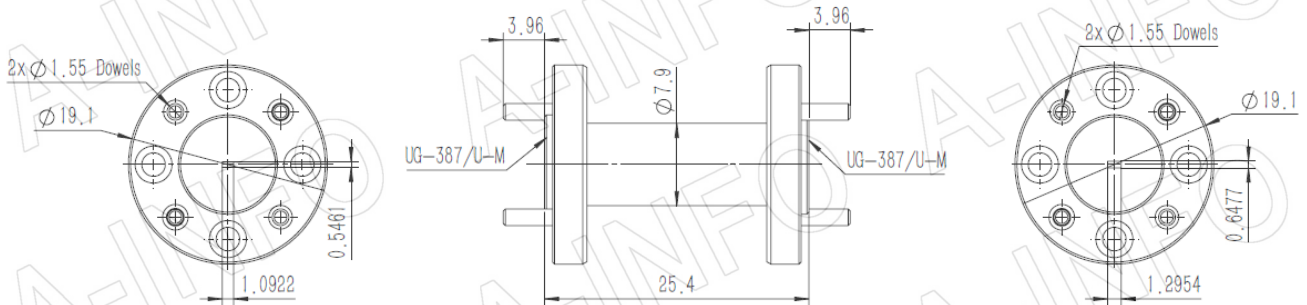


Technical Specification



EIA WR to WR	WR5 to WR4
Frequency Range(GHz)	170.0 – 220.0
Length (mm/inch)	25.4/1
Insertion Loss(dB)	0.6 Max.
VSWR	1.20:1 Max.
WR5 Flange	UG387/U-M
WR4 Flange	UG387/U-M
Material	Cu
Size(mm)	25.4 x 19.1 x 19.1
Net Weight(Kg)	0.02 Around

Outline Drawing (Size: mm)



AINFO Inc.

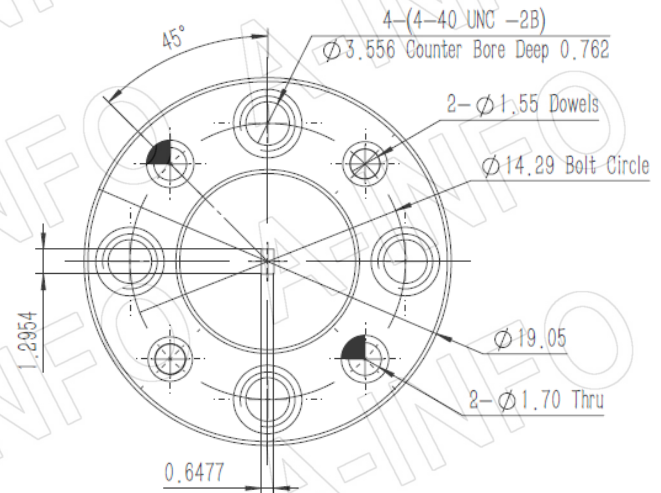
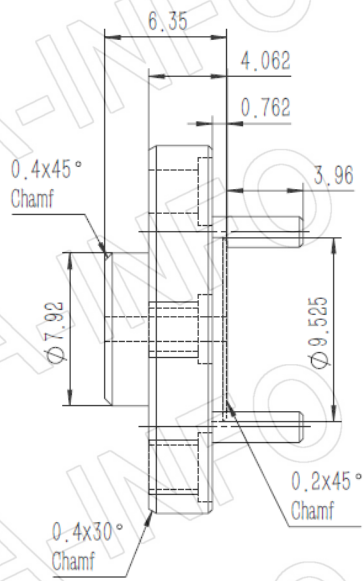
Page 1 of 2

China(Beijing): Tel: (+86) 10-6266-7326,
China(Chengdu): Tel: (+86) 28-8519-2786,
USA: Tel: (+1) 949-639-9688,

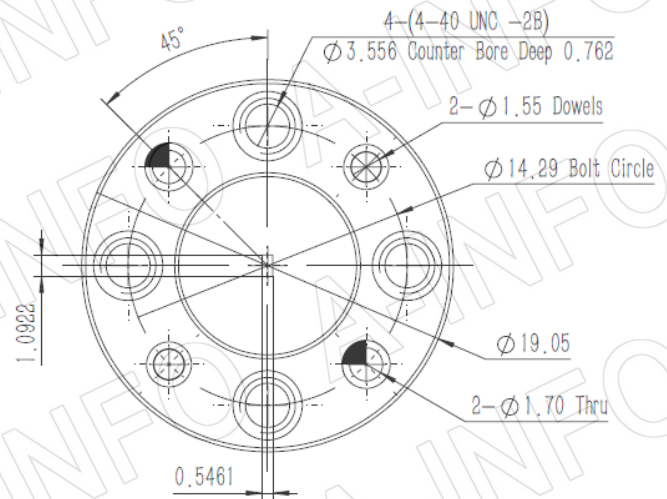
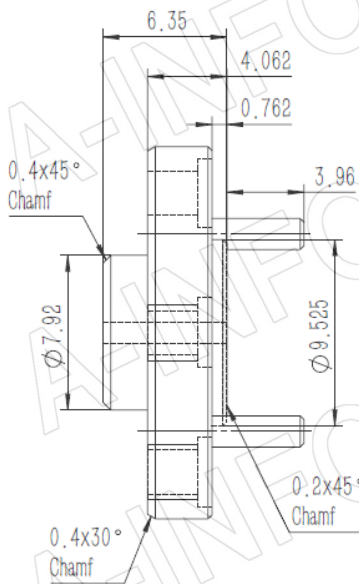
(+86) 10-6266-7327 Fax: (+86) 10-6266-7379
(+86) 28-8519-3044 Fax: (+86) 28-8519-3068
(+1) 949-639-9608 Fax: (+1) 949-639-9670

Website: www.ainfoinc.com
Email: sales@ainfoinc.com

Flange Outline Drawing (Size: mm)



UG-387/U-M



UG-387/U-M

AINFO Inc.

Page 2 of 2

China(Beijing):
China(Chengdu):
USA :

Tel: (+86) 10-6266-7326,
Tel: (+86) 28-8519-2786,
Tel: (+1) 949-639-9688,

(+86) 10-6266-7327
(+86) 28-8519-3044
(+1) 949-639-9608

Fax: (+86) 10-6266-7379
Fax: (+86) 28-8519-3068
Fax: (+1) 949-639-9670

Website: www.ainfoinc.com
Email: sales@ainfoinc.com